

Disposable  
Full-Detachable Trocar



# EndoGuidance<sup>®</sup>

ENDOSCOPIC ACCESS PORT

YES, WE HAVE IT. IT'S IN OUR **NAME**<sup>®</sup>

*Surgical Division*

More **Products**  
More **Solutions**  
Solid **Results**





**EndoGuidance**  
ENDOSCOPIC ACCESS PORT

Disposable

# Full-Detachable Trocar

## Double Seal (Latex Free)

Ensuring biocompatibility and safety

Accommodating instruments of various sizes ranging from 5mm - 15mm



### Primary Seal

Funneled entry, keeping airtightness and smoothness while instruments use or exchange



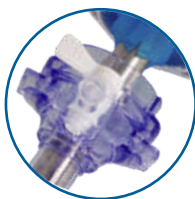
### Secondary Seal

Cross-entry guarantees airtightness when instruments are not in use



### Full-detachable Design

To facilitate specimen removal and realizing fast discharge during the surgery



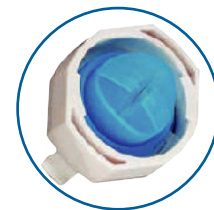
### Rotation Device

180° rotation stopcock conveniently operated by both hands to control insufflation and deflation



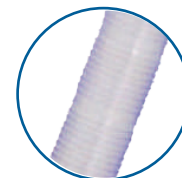
### Ergonomic Handle

Arc is more comfortable for operating streamlined design



### Detached Secondary Seal

Rotary disassembly design realizes fast detachment for convenient surgeons during the procedure



### Barb Thread Design

Providing stronger fixation to the abdominal wall

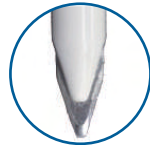


Disposable  
**Auto-locking  
Full-detachable Trocar**  
Bladed, Safety Shield



**Key Press Locking System**

For safety operations before and after the penetration



**Bladed Tip**

Auto-shield for easy penetration allows less trauma and quick recovery

**Auto-locking Trocar**

Item No.	Size
MDK5-70	5mm x 70mm
MDK5-100	5mm x 100mm
MDK5-150	5mm x 150mm
MDK10-100	10mm x 100mm
MDK10-150	10mm x 150mm
MDK11-100	11mm x 100mm
MDK11-150	11mm x 150mm
MDK12-100	12mm x 100mm
MDK12-150	12mm x 150mm
MDK15-100	15mm x 100mm
MDK15-150	15mm x 150mm

**Bladeless Full-detachable Trocar**

Bladeless, Less Trauma



**Bladeless Tip**

Tissue separation, rather than cutting  
Greatly reduced the area of fascial trauma  
as well as the herniation rate

**Bladeless Trocar**

Item No.	Size
MD5-70	5mm x 70mm
MD5-100	5mm x 100mm
MD5-150	5mm x 150mm
MD10-100	10mm x 100mm
MD10-150	10mm x 150mm
MD11-100	11mm x 100mm
MD11-150	11mm x 150mm
MD12-100	12mm x 100mm
MD12-150	12mm x 150mm
MD15-100	15mm x 100mm
MD15-150	15mm x 150mm

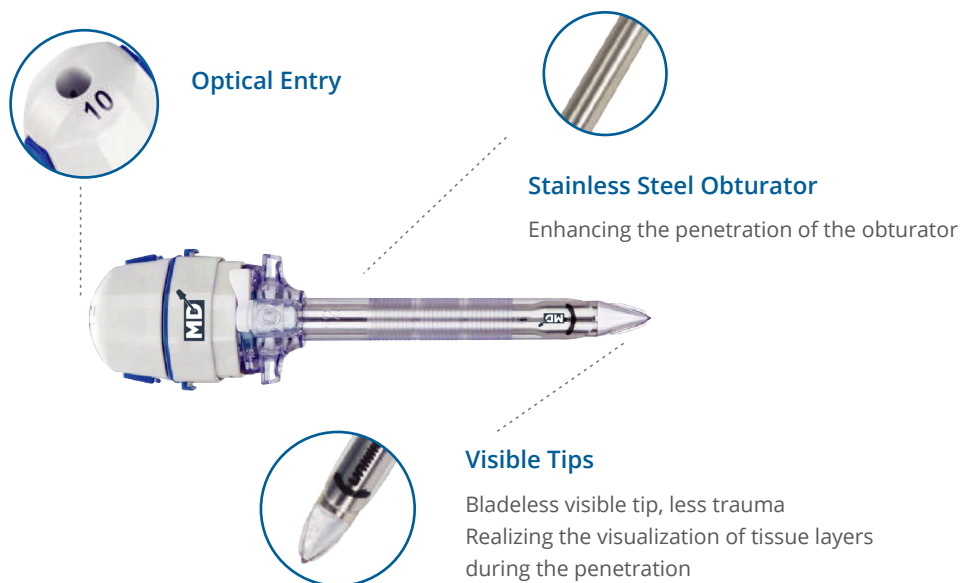


**EndoGuidance**  
ENDOSCOPIC ACCESS PORT

Disposable

# Optical Full-detachable Trocar

Optical, Safety Shield



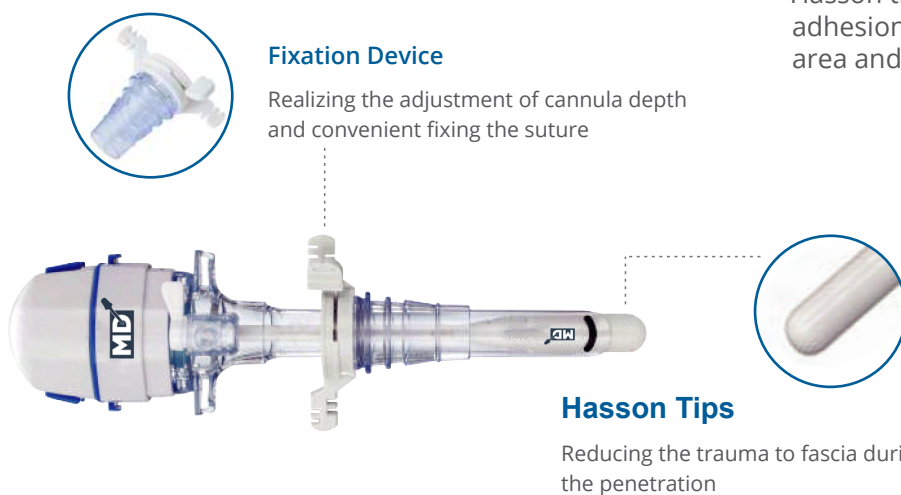
## Optical Trocar

Item No.	Size
MDO5-70	5mm x 70mm
MDO5-100	5mm x 100mm
MDO5-150	5mm x 150mm
MDO10-100	10mm x 100mm
MDO10-150	10mm x 150mm
MDO11-100	11mm x 100mm
MDO11-150	11mm x 150mm
MDO12-100	12mm x 100mm
MDO12-150	12mm x 150mm
MDO15-100	15mm x 100mm
MDO15-150	15mm x 150mm

# Hasson Full-detachable Trocar

Blunt-round Tip, Less trauma

-Hasson trocar is most suitable for obese/abdominal adhesion patients, which can greatly reduce the trauma area and herniation rate



## Hasson Trocar

Item No.	Size
MDH10-10	10mm x 10mm
MDH12-10	12mm x 10mm



(888) 863-1112 Ext. 422

6831 Edgewater Commerce Pkwy Ste 1101  
Orlando, FL 32810

MedicalDisposables.us  
SurgicalDivision@MedicalDisposables.us

**HAVE QUESTIONS? PLEASE CALL (888) 863-8112**